

**4X4<sup>®</sup>**  
**TOUGH**  
GO OFF ROAD

**4WD ACCESSORIES**


# EMERGENCY TYRE REPAIR KIT



**INSTRUCTION  
MANUAL**

AFTER SALES SUPPORT 717052

 **AUS** 1300 883 104

 [www.4x4tough.com.au](http://www.4x4tough.com.au)  
[sales@4x4tough.com.au](mailto:sales@4x4tough.com.au)

MODEL: 24-280499 SAP ID:581186 08/2024

# Contents

	<b>Page</b>
WELCOME .....	3
WARNINGS AND SAFEGUARDS .....	4
OPERATING INSTRUCTIONS .....	5
KIT CONTENTS .....	6
NOTES .....	7

# WELCOME

**Congratulations on choosing to buy a 4X4 TOUGH® product.**

**In the event you require assistance with your purchase please contact one of our experienced customer service team on 1300 883 104.**

*Satisfied customers have repeatedly attested to the positive outcome of a simple phone call in resolving misunderstandings and gaining positive insights into product usage.*

This product is manufactured to the highest standards of safety and performance.

Please read instructions carefully before use.

Unless directions are followed physical injury or property damage may result.

Save these instructions for future reference.



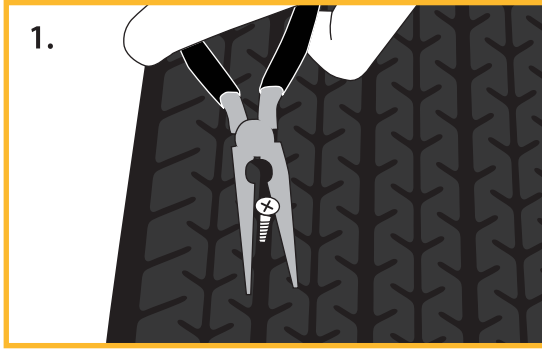
## Emergency Tyre Repair Kit

**Please read instructions carefully before use. Unless directions are followed physical injury or property damage may result. Save these instructions for future reference.**

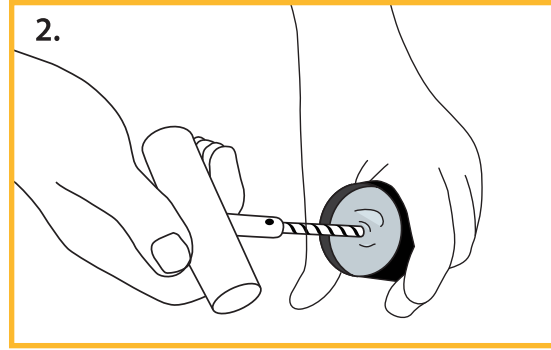
### Warnings and Safeguards

- Tyre seal cords and radial patches are intended as a temporary repair only and vehicle should be driven at a slower than normal speed. Your tyre should be checked and repaired by a qualified professional as soon as possible.
- Protective gloves and eye wear should be worn during repair procedure.
- Do not use tyre seal cords or radial patches on the wall of the tyre. For use only on the tread area of the tyre.
- Radial patches to be used on the inside tread area of the tyre only.
- Do not attempt to repair a tyre on a vehicle that is in any form of jacked up suspension (ie: referring to a lift kit).
- Be careful of steel belts that may pull through the hole in the tyre when using the insertion needle tool.

## Operating Instructions - Tyre Seal Cords



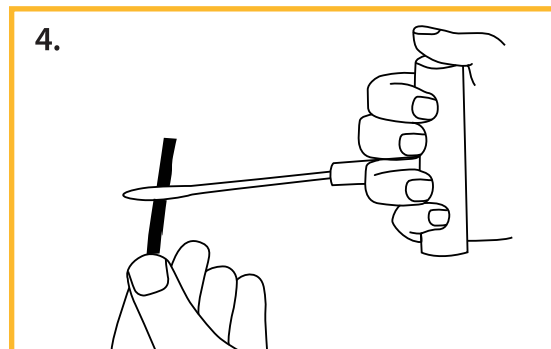
1. Find and remove the cause of the puncture.



2. Dip the spiral shaft of the probe tool into the black jar of lubricant.



3. Insert spiral probe tool into puncture hole - rotating and pushing in and out several times to clean out the hole.



4. Thread the seal cord through the eye of the needle insertion tool until equal parts are either side of the tool .



5. Apply rubber cement along the length of the seal cord then push insertion tool and seal cord into the puncture hole leaving a small amount of cord visible. Slowly remove insertion tool.

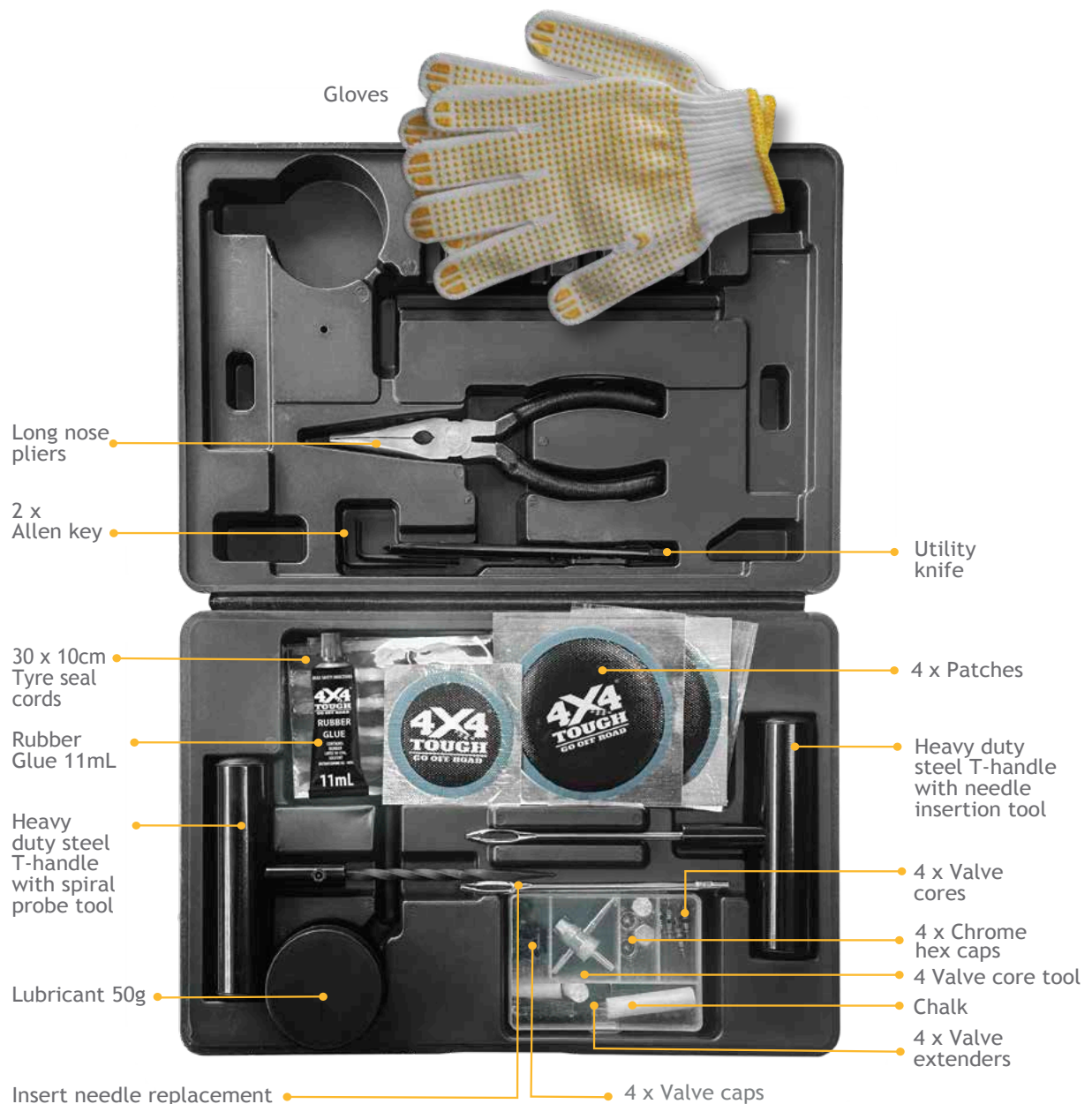


6. Trim excess cord as close to tyre tread as possible with the kit knife. Wipe away any excess rubber cement and leave to dry.

7. Re-inflate the tyre using a suitable air compressor and check regularly for leaks.

## Kit Contents:

- 1 x Heavy duty steel T-Handle insert tool
- 1 x Insert needle replacement
- 1 x Heavy duty steel spiral probe
- 2 x Allen keys
- 1 x 14cm Utility knife
- 1 x Long nose pliers
- 30 x 10cm Tyre seal cords
- 1 x 50g Jar of lubricant
- 1 x 4 Way valve core tool
- 4 x Valve cores
- 4 x Valve caps
- 4 x Chrome hex caps
- 4 x Valve extenders
- 1 x 11ml Tube rubber glue
- 1 x Euro style radial patch 60 x 60mm
- 3 x Euro style radial patch 80 x 80mm
- 1 x Working gloves
- 1 x Hard plastic carry case
- 1 x Chalk





**4X4<sup>®</sup>**  
**TOUGH**  

---

**GO OFF ROAD**